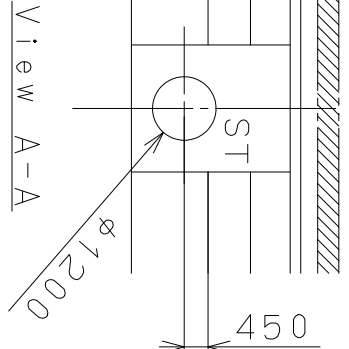
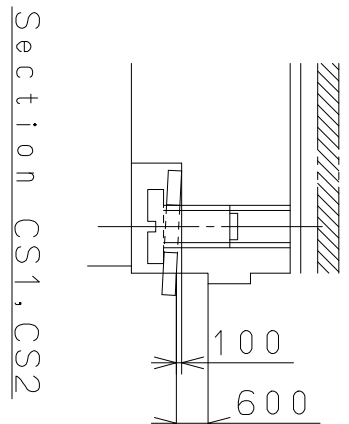
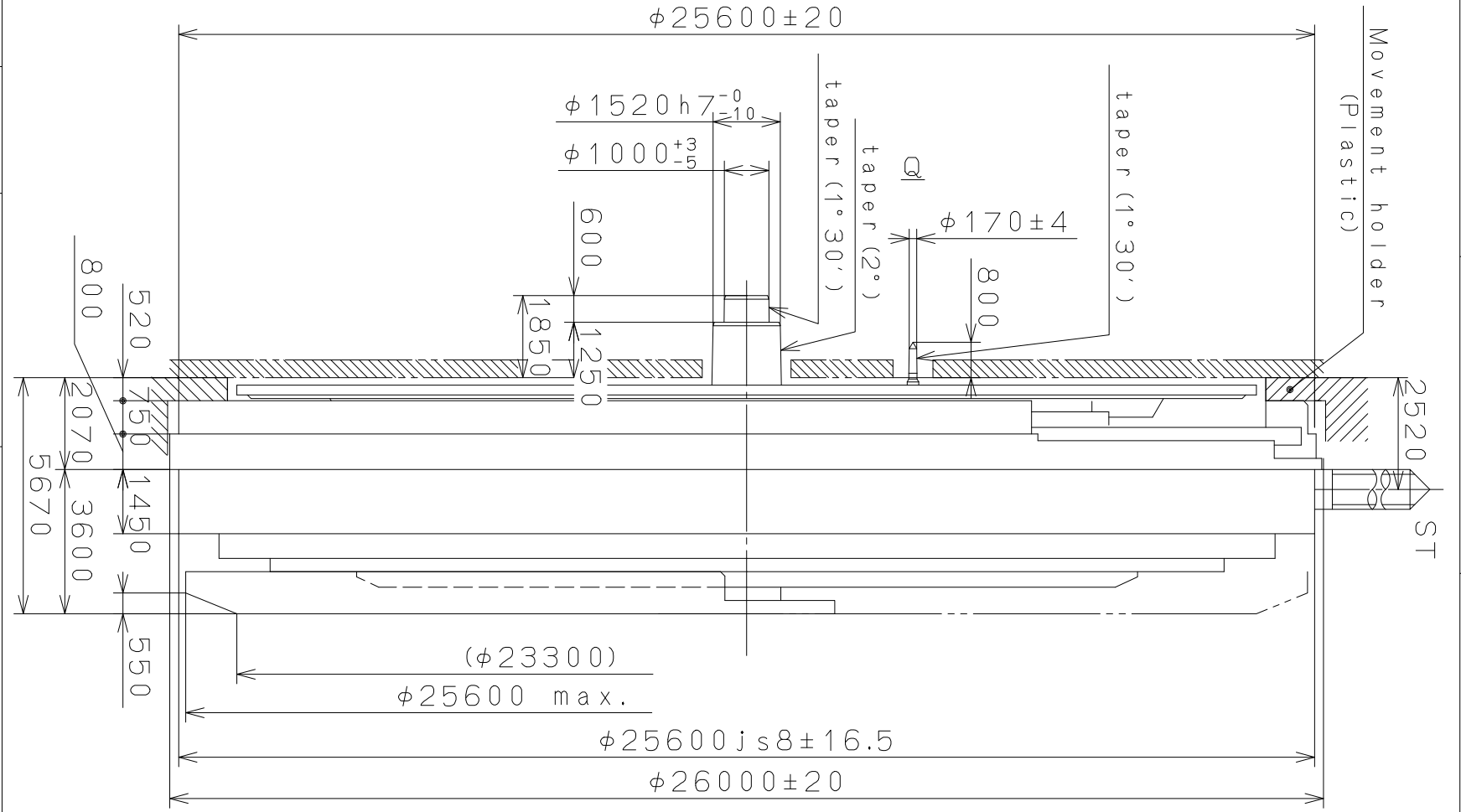
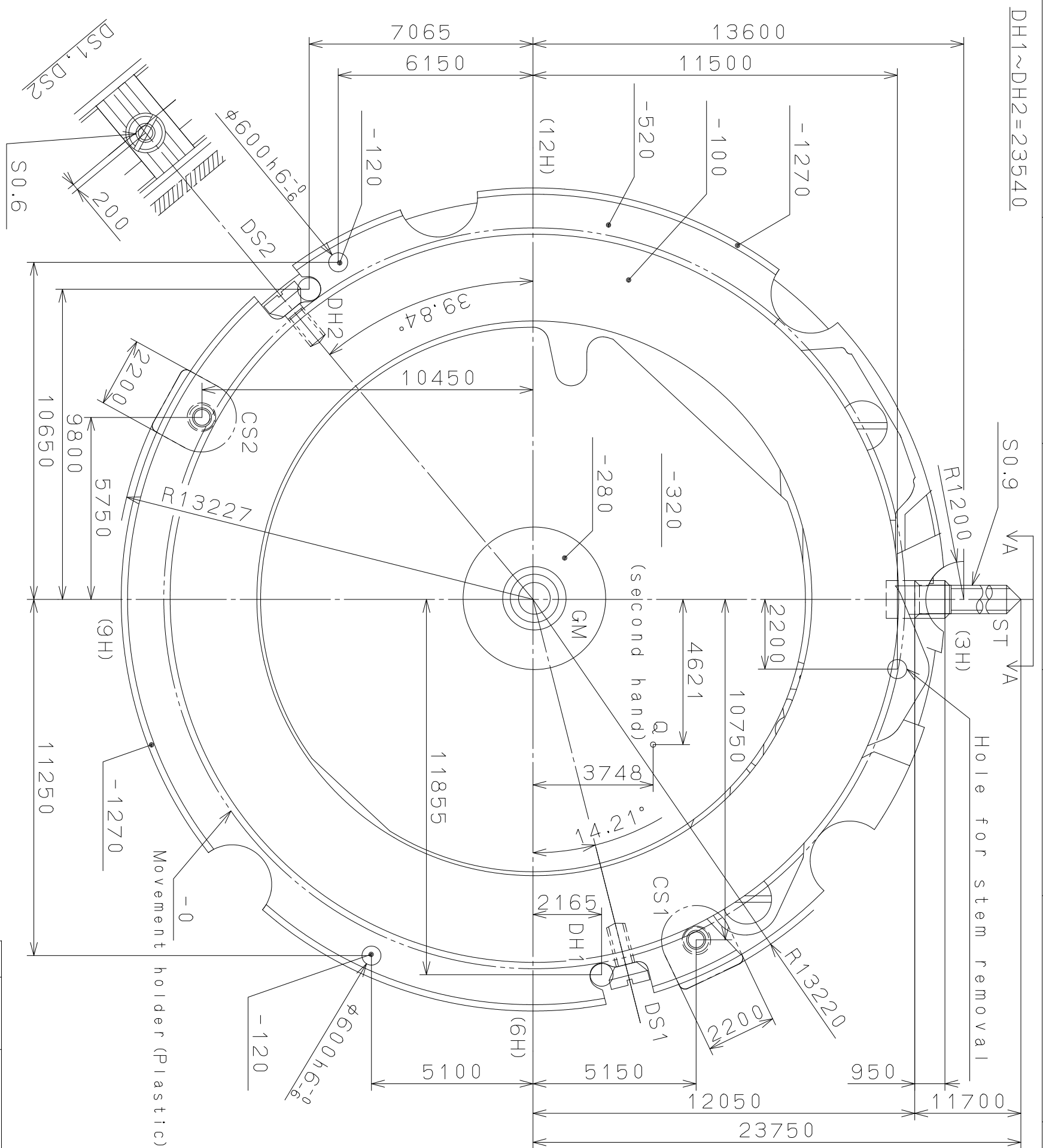


This drawing is provisional and subject to our reconfirmation and/or revision without notice.

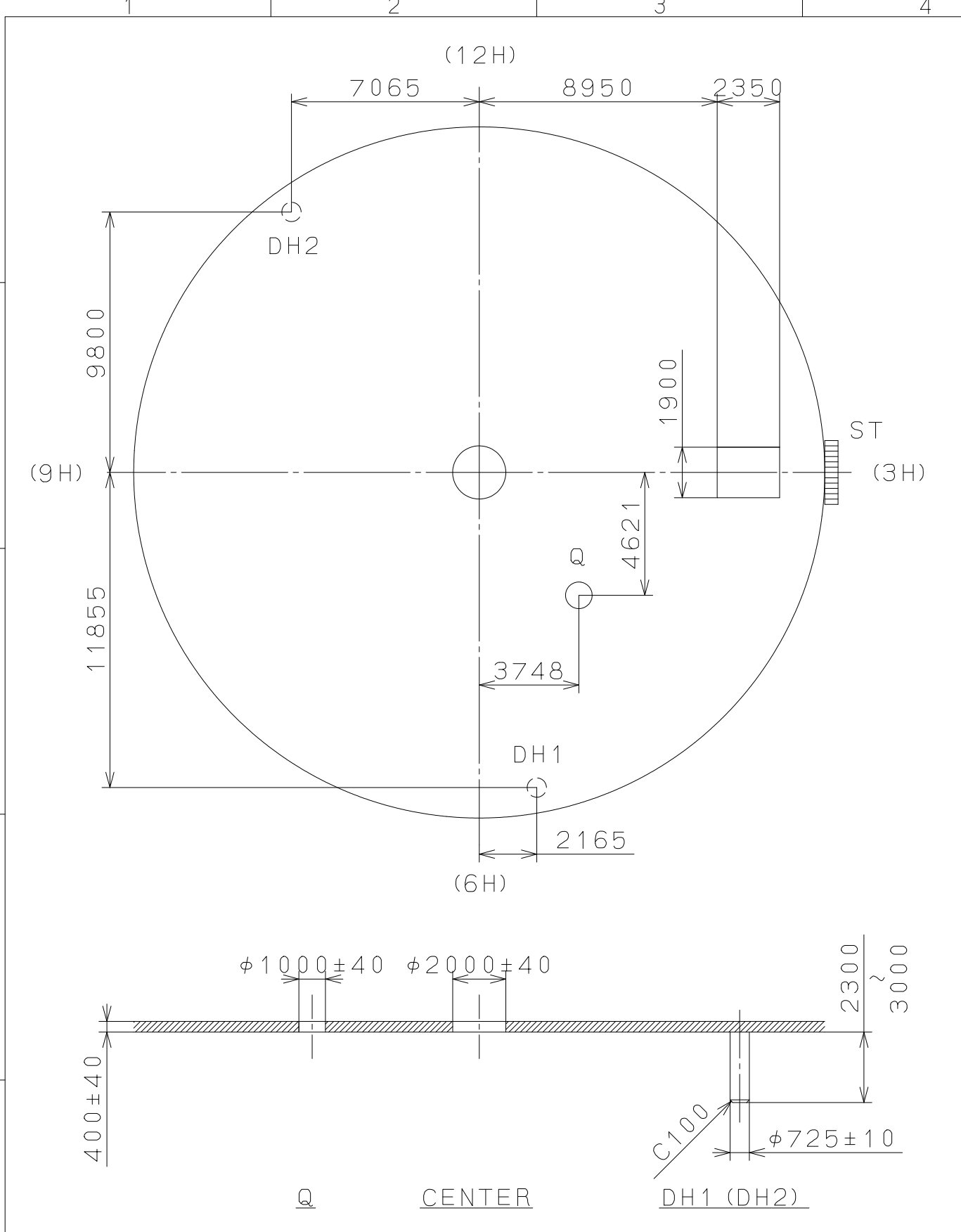


Material	Alterations	Date	Mark	Quantity	Unit	Scale	Cal. NO.:
Heat Treatment				1	1/1000 mm	7:1	82118
Hardness							
Plating							
General Tolerances				Parts No.:			
Dimensions				Name:			
Angles				Frame for Case			
CITIZEN WATCH CO., LTD. TOKYO, JAPAN				Drawing No.: 8218C002			

MIYOTA

2010/06/01 (12:48:28)

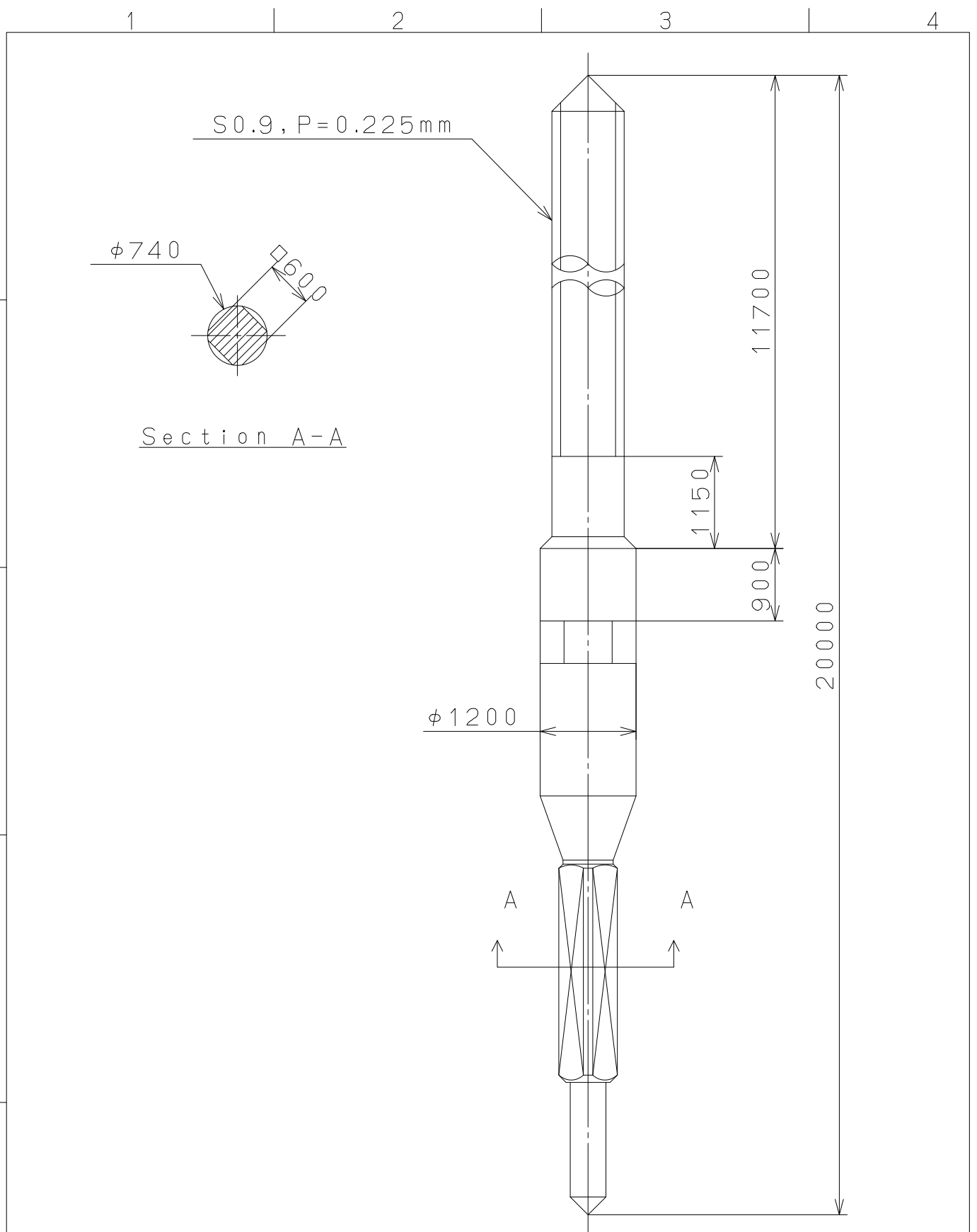
This drawing is provisional and subject to our reconfirmation and/or revision without notice.



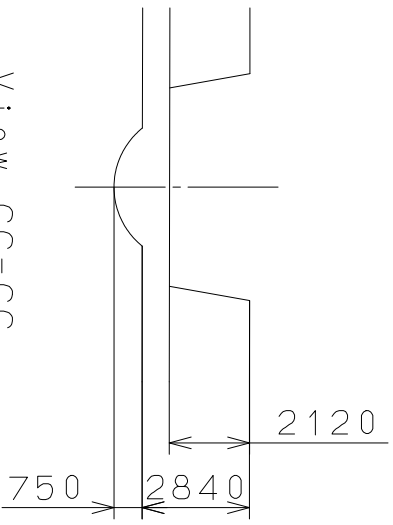
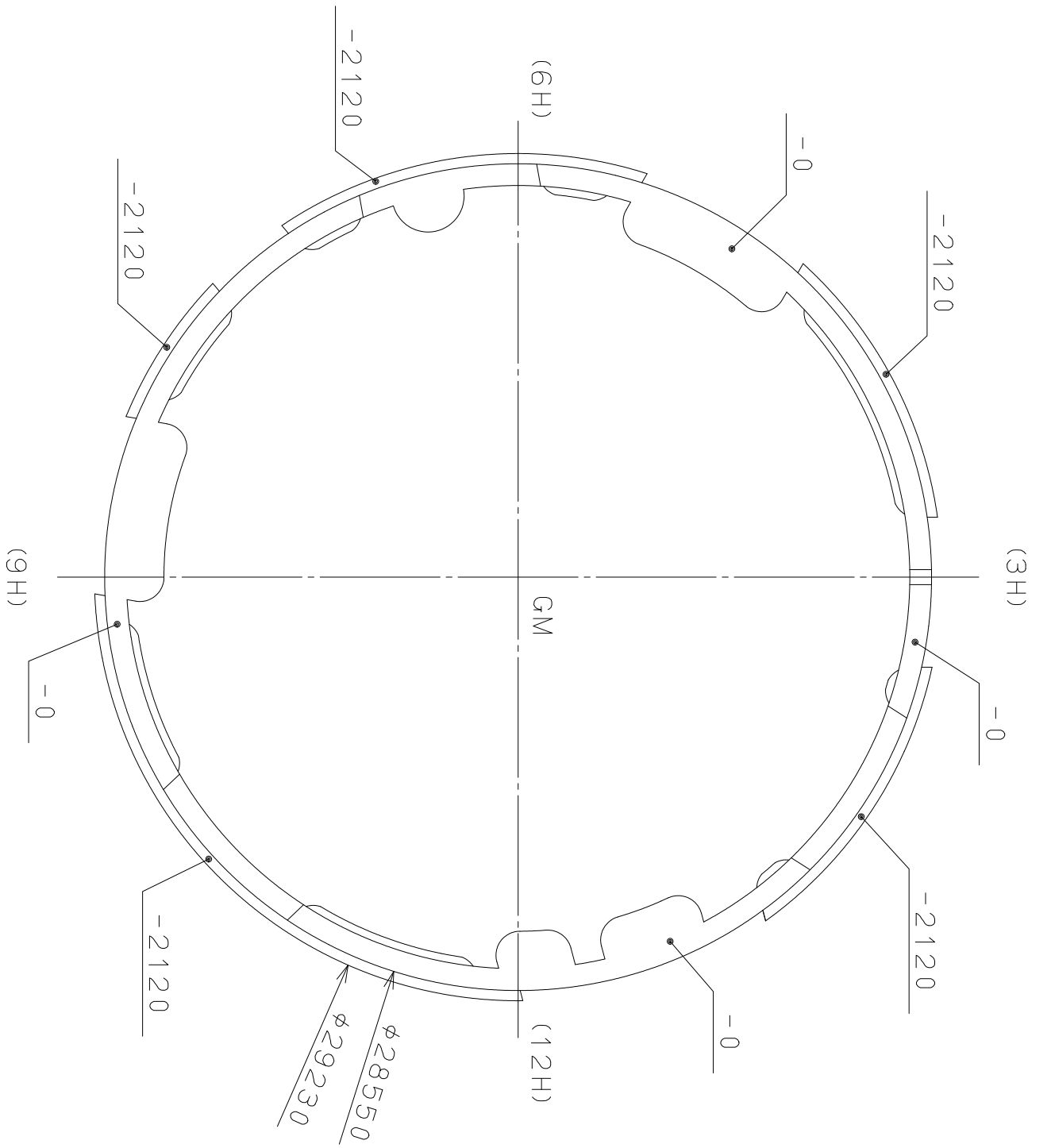
△			Quantity		Cal.NO.:
△			Unit	1/1000mm	8218-21A
△			Scale	5:1	Parts No.:
△			Date		
△			Drawn		
Mark	Date	Description	Appr.	Checked	Name:
		Alterations	Approved	N. Suzuki	Indications for Dial
Material					Drawing No.:8218D000
Heat Treatment			General Tolerances	MIYOTA	
Hardness			Dimensions		
Plating			Angles		
				CITIZEN WATCH CO.,LTD. TOKYO,JAPAN	

2008/11/14 (11:30:42)

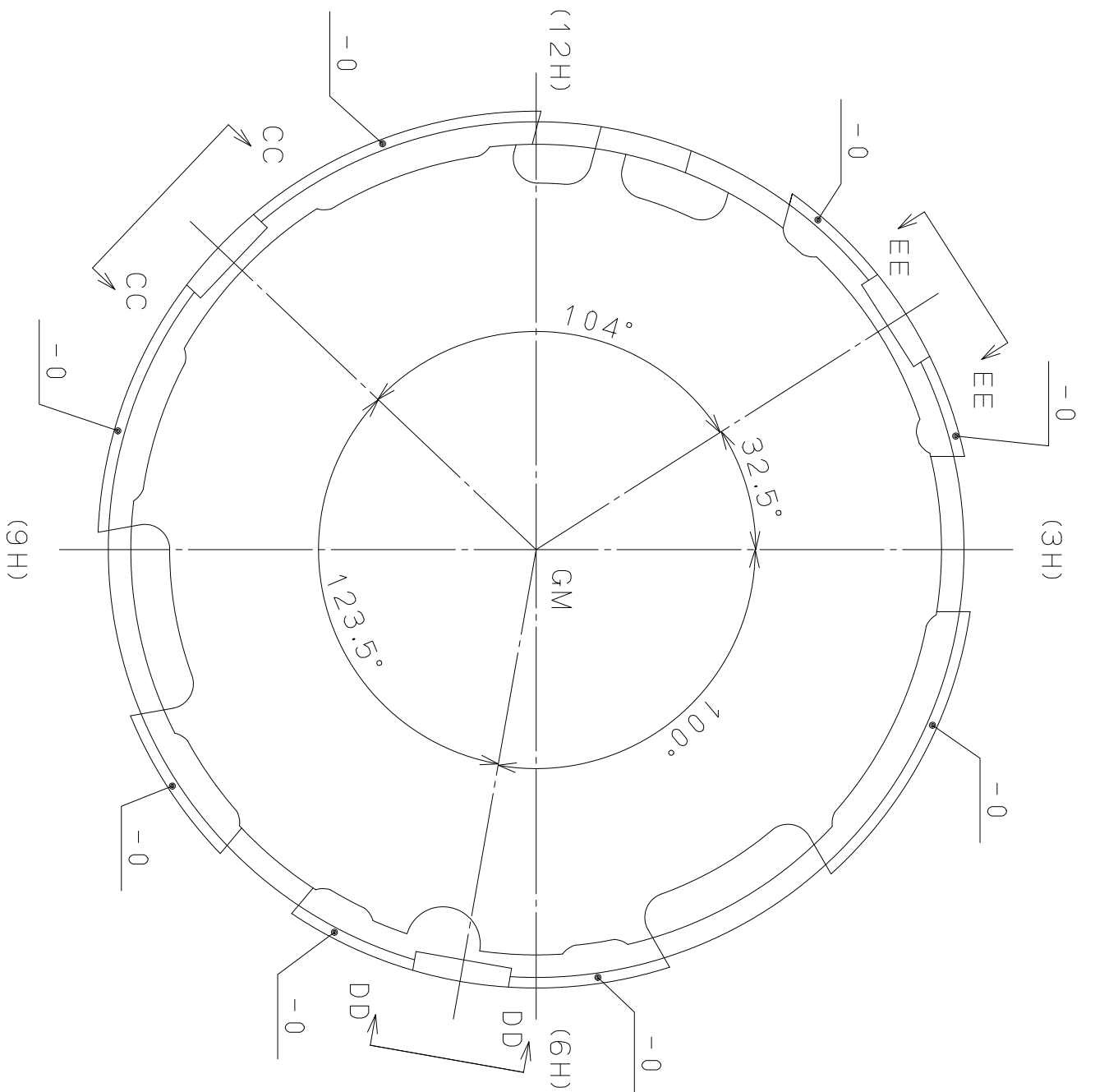
This drawing is provisional and subject to our reconfirmation and/or revision without notice.



△5			Quantity		Cal.NO.:
△4			Unit	1/1000mm	
△3			Scale	15:1	Parts No.:
△2			Date		065-212
△1			Drawn		
Mark	Date	Description	Appr.	Checked	Name:
		Alterations	Approved	N. Suzuki	SETTING STEM
Material					Drawing No.: 2120S001
Heat Treatment			General Tolerances	MIYOTA CITIZEN WATCH CO., LTD. TOKYO, JAPAN	
Hardness			Dimensions		
Plating			Angles		



View CC-CC
DD-DD, EE-EE



Quantity	1/1000 mm	Cal. NO.:	
Unit	mm	Parts No.:	500-710
Scale	5:1	Name:	Casing Holder
Date	Drawn	Checked	N. Suzuki
Date	Drawn	Approved	
Material	Alterations	Material	
Heat Treatment		Heat Treatment	
Hardness		Hardness	
Plating		Plating	
General Tolerances			
Dimensions			
Angles			
		MIYOTA	
		CITIZEN WATCH CO., LTD. TOKYO, JAPAN	
		Drawing No.: 8200E002	